

QL65D7SB

InGaAlP Laser Diode

2003 Rev 0

◆ OVERVIEW

QL65D7SB is a MOCVD grown 650 nm band *InGaAlP* laser diode with quantum well structure. It's an attractive light source, with a typical light output power of 5 mW for optoelectronic devices such as DVD-P/ROM.

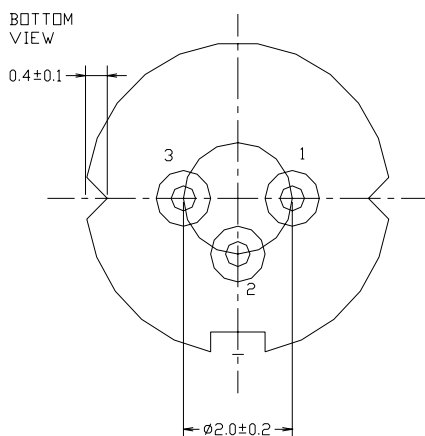
◆ APPLICATION

- DVD-P/ROM
- Optical Leveler
- Bar Code Reader

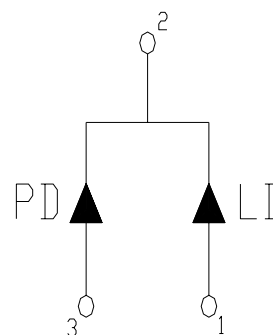
◆ FEATURES

- Visible Light Output: $\lambda_p = 650 \text{ nm}$
- Optical Power Output: 5 mW CW
- Package Type : TO-18 (5.6 mm ϕ)
- Built-in Photo Diode for Monitoring Laser Diode

◆ ELECTRICAL CONNECTION



Bottom View



Pin Configuration

◆ ABSOLUTE MAXIMUM RATING at Tc=25°C

Items	Symbols	Values	Unit
Optical Output Power	P	5	mW
Laser Diode Reverse Voltage	V	2	V
Photo Diode Reverse Voltage	V	30	V
Operating Temperature	Topr	-10 ~ +70	°C
Storage Temperature	Tstg	-40 ~ +85	°C

◆ ELECTRICAL and OPTICAL CHARACTERISTICS at Tc=25°C

Items	Symbols	Min.	Typ.	Max.	Unit	Condition
Optical Output Power	Po	-	5	-	mW	-
Threshold Current	Ith	-	30	40	mA	-
Operating Current	Iop	-	40	50	mA	Po = 5 mW
Operating Voltage	Vop	-	2.3	2.6	V	Po = 5 mW
Lasing Wavelength	λ_p	645	655	660	nm	Po = 5 mW
Beam Divergence	$\theta_{ }$	7	8	10	deg	Po = 5 mW
	θ_{\perp}	25	29	32	deg	Po = 5 mW
Beam Angle	$\Delta\theta_{ }$	-	-	±1.5	deg	Po = 5 mW
	$\Delta\theta_{\perp}$	-	-	±2.5	deg	Po = 5 mW
Monitor Current	Im	0.1	0.2	0.5	mA	Po = 5 mW
Optical Distance	$\Delta X, \Delta Y, \Delta Z$	-	-	±60	μm	
Astigmatism	As		8		μm	

NOTICE : QL65D7SB to be operated on APC circuit.

The above product specifications are subject to change without notice.

